



ARTISAN KRAFT

WWW.ARTISANKRAFT.COM

SALES@ARTISANKRAFT.COM

888-652-0106

MODEL

ASPEN - LARGE

CLIENT

MATERIAL

COLOR

NATURAL  GRAY  BEIGE  EARTH

CUSTOM: \_\_\_\_\_

HEARTH

STANDARD  BEVELED  BULLNOSE

NONE

SIZE: \_\_\_\_\_

FILLER

2  3  4  NONE

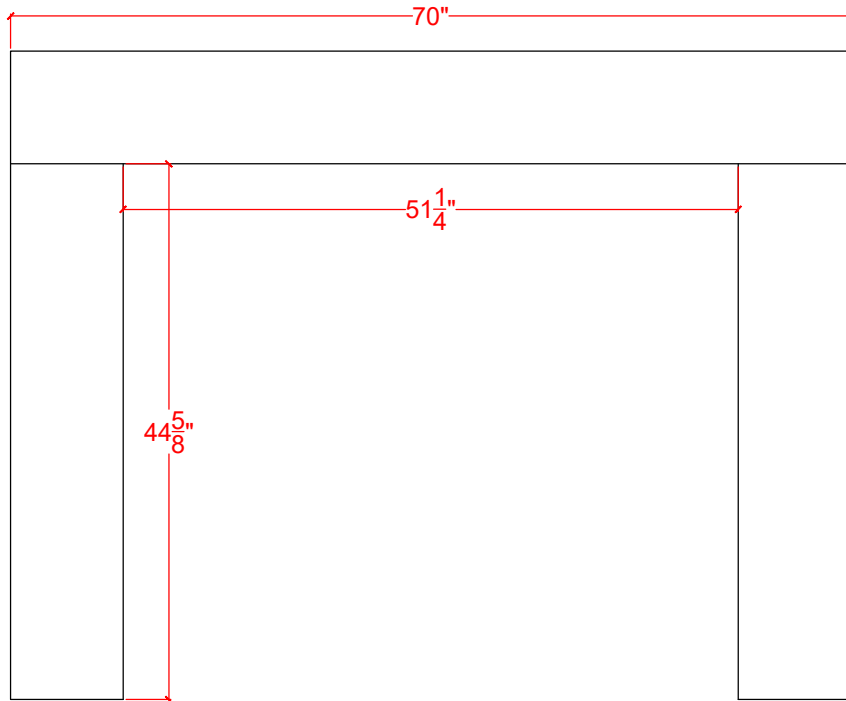
SLOTS

SIZE: \_\_\_\_\_

SHEET

1.0

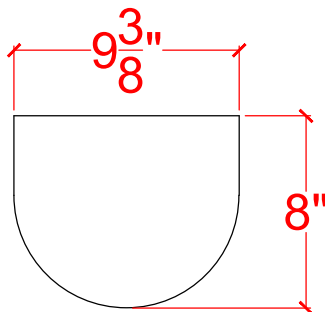
ARTISAN KRAFT EXPRESSLY RESERVES ITS COMMON LAW COPYRIGHT AND OTHER PROPERTY RIGHTS IN THESE PLANS. THESE PLANS ARE NOT TO BE REPRODUCED, CHANGED, OR COPIED IN ANY FORM OR MANNER WHATSOEVER, NOR ARE THEY TO BE ASSIGNED TO A THIRD PARTY WITHOUT FIRST OBTAINING THE WRITTEN PERMISSION AND CONSENT OF ARTISAN KRAFT. IN THE EVENT OF UNAUTHORIZED REUSE OF THESE PLANS BY A THIRD PARTY, THE THIRD PARTY SHALL HOLD ARTISAN KRAFT HARMLESS. COPYRIGHT 2024



1 FRONT VIEW \_\_\_\_\_



2 SIDE VIEW \_\_\_\_\_



3 PROFILE \_\_\_\_\_

SIGNATURE: \_\_\_\_\_

INVOICE: \_\_\_\_\_

DATE: \_\_\_\_\_

DELIVERY:  SHIP  PICKUP  LOCAL