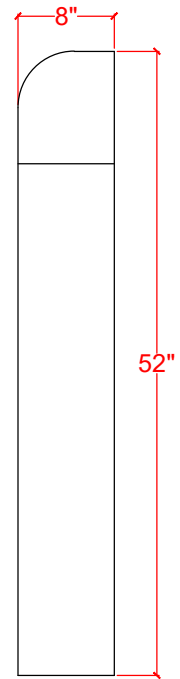
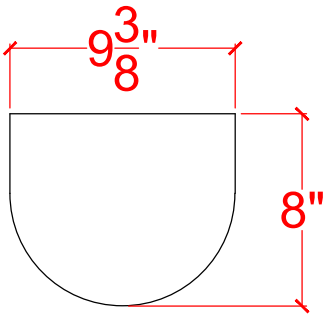


1 FRONT VIEW _____



2 SIDE VIEW _____



3 PROFILE _____

SIGNATURE: _____

INVOICE: _____

DATE: _____

DELIVERY: SHIP PICKUP LOCAL



ARTISAN KRAFT

WWW.ARTISANKRAFT.COM

SALES@ARTISANKRAFT.COM

888-652-0106

MODEL
ASPEN - MEDIUM

CLIENT

MATERIAL

COLOR

NATURAL GRAY BEIGE EARTH

CUSTOM: _____

HEARTH

STANDARD BEVELED BULLNOSE

NONE

SIZE: _____

FILLER

2 3 4 NONE

SLOTS

SIZE: _____

SHEET

1.0

ARTISAN KRAFT EXPRESSLY RESERVES ITS COMMON LAW COPYRIGHT AND OTHER PROPERTY RIGHTS IN THESE PLANS. THESE PLANS ARE NOT TO BE REPRODUCED, CHANGED, OR COPIED IN ANY FORM OR MANNER WHATSOEVER, NOR ARE THEY TO BE ASSIGNED TO A THIRD PARTY WITHOUT FIRST OBTAINING THE WRITTEN PERMISSION AND CONSENT OF ARTISAN KRAFT. IN THE EVENT OF UNAUTHORIZED REUSE OF THESE PLANS BY A THIRD PARTY, THE THIRD PARTY SHALL HOLD ARTISAN KRAFT HARMLESS. COPYRIGHT 2024