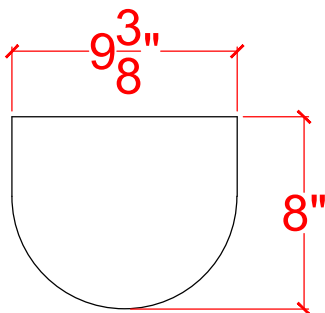


1 FRONT VIEW \_\_\_\_\_

2 SIDE VIEW \_\_\_\_\_



3 PROFILE \_\_\_\_\_

SIGNATURE: \_\_\_\_\_

INVOICE: \_\_\_\_\_

DATE: \_\_\_\_\_

DELIVERY:  SHIP  PICKUP  LOCAL



ARTISAN KRAFT

WWW.ARTISANKRAFT.COM

SALES@ARTISANKRAFT.COM

888-652-0106

MODEL  
ASPEN - SMALL

CLIENT

MATERIAL

COLOR

- NATURAL  GRAY  BEIGE  EARTH  
 CUSTOM: \_\_\_\_\_

HEARTH

- STANDARD  BEVELED  BULLNOSE  
 NONE

SIZE: \_\_\_\_\_

FILLER

- 2  3  4  NONE  
 SLOTS

SIZE: \_\_\_\_\_

SHEET  
1.0

ARTISAN KRAFT EXPRESSLY RESERVES ITS COMMON LAW COPYRIGHT AND OTHER PROPERTY RIGHTS IN THESE PLANS. THESE PLANS ARE NOT TO BE REPRODUCED, CHANGED, OR COPIED IN ANY FORM OR MANNER WHATSOEVER, NOR ARE THEY TO BE ASSIGNED TO A THIRD PARTY WITHOUT FIRST OBTAINING THE WRITTEN PERMISSION AND CONSENT OF ARTISAN KRAFT. IN THE EVENT OF UNAUTHORIZED REUSE OF THESE PLANS BY A THIRD PARTY, THE THIRD PARTY SHALL HOLD ARTISAN KRAFT HARMLESS. COPYRIGHT 2024